

IES Indoor Report

Photometric Filename:AD10681 10W 1002C4 3090 HK35-15D 250.IES

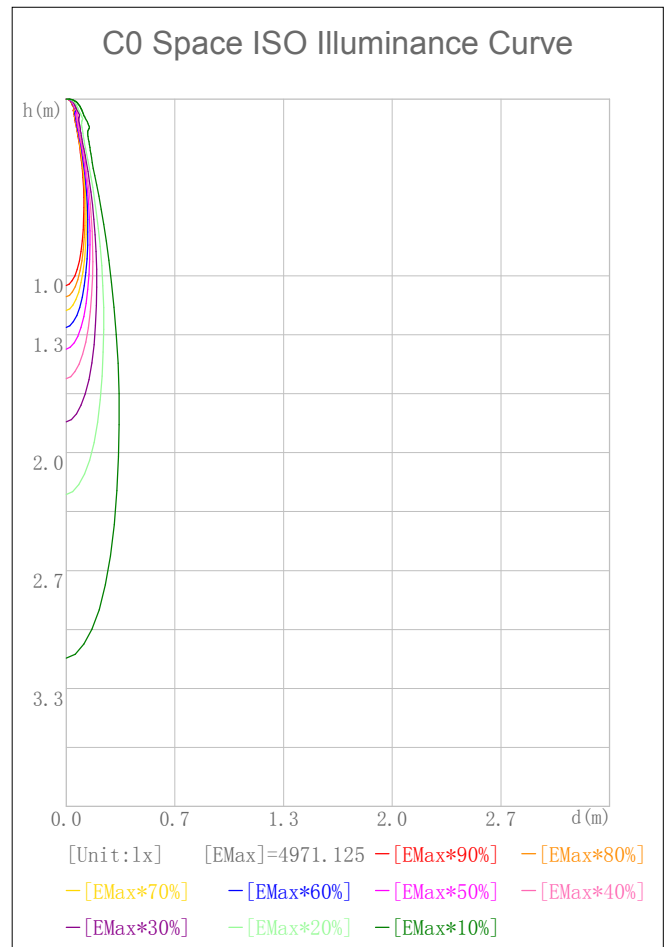
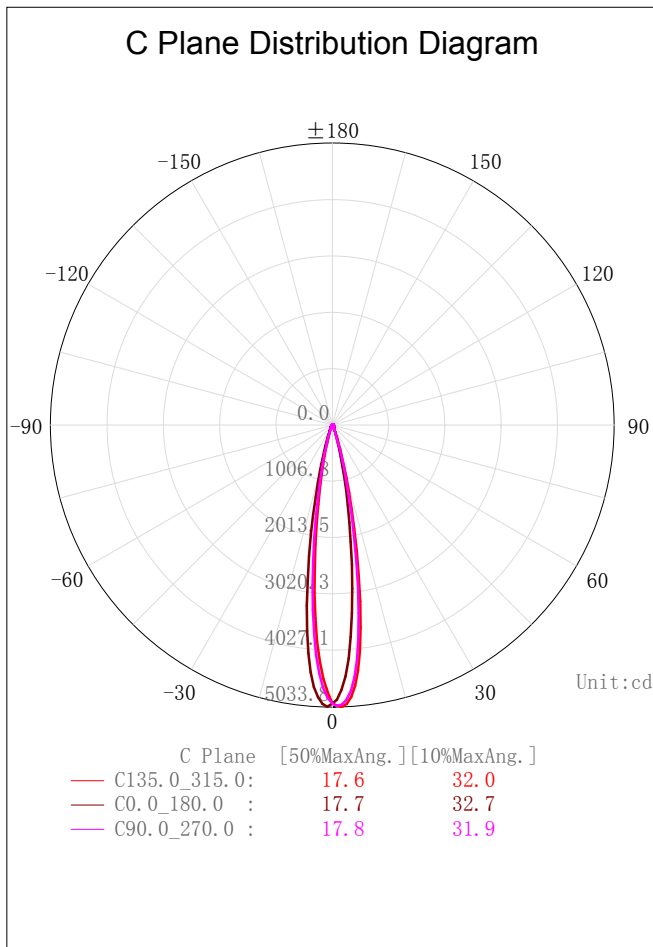
Indoor Luminaire Photometric Data

Description Information

Luminaire Name: AD10681	Lum. Catalog: Down Light	Test ID:
Lamp Name: 1002	Lamp Catalog: COB	Test Date: 2023/05/20
Manufacture: -	Shld. Ang(°):15	Test Machine:GON-2000
Test Lab: Test	Frequency(Hz):50	Lamp CCT(K): 3000 Ra: 90
Lum. Size (W*L*H):0.082m*0.082m*0.000m	Lum. Area (m2):0.005	Lum. W (kg): 0.000
Test System: C, γ	Test Step: C=22.5 γ =1.0	Temp. (°C): 25
		Humidity (%): 50.0

Character Parameter

Lamp Speciality Parameter		Luminaire Speciality Parameter	
Rated Flux(lm): 675.000	Luminaire Flux(lm): 675.126	Field Angle(10%Imax): 32.0(°)	
Rated Power(W): 10	Luminaire Efficiency: 100.02%	Down Lumens&Percent: 637.799lm 94.47%	
Rated Voltage(V): 220	Luminaire EER(lm/W): 73.058	Up Lumens&Percent: 37.327lm 5.53%	
Tested Power(W): 9.241	Max. Candela(cd): 5033.823	S/MH: C0_a180=0.306 C90_270=0.308	
Lamps' Inside: 1	Max Cand@Ang. (°): C=135.0 γ =2.0	CIE Type: Semi-Direct	
Tested Electrics(V, A, pf):220.3, 0.076, 0.545	Beam Angle(50%Imax): 17.6(°)	ErP Φ use(90°): 609.775lm	
Lamp Size(W*L*H):0.082m*0.082m*0.000m	Left=-7.1°, Right=10.5°	IRF (%): 1935.149	



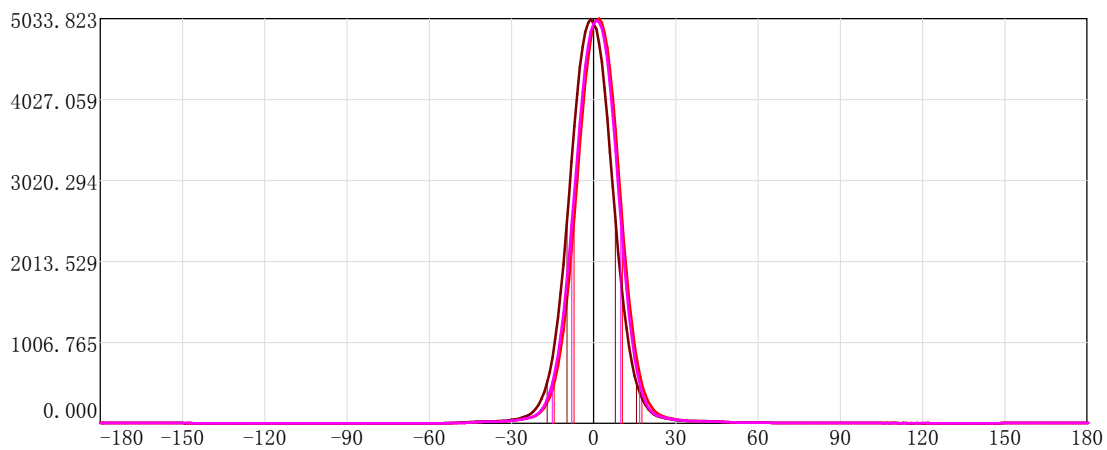
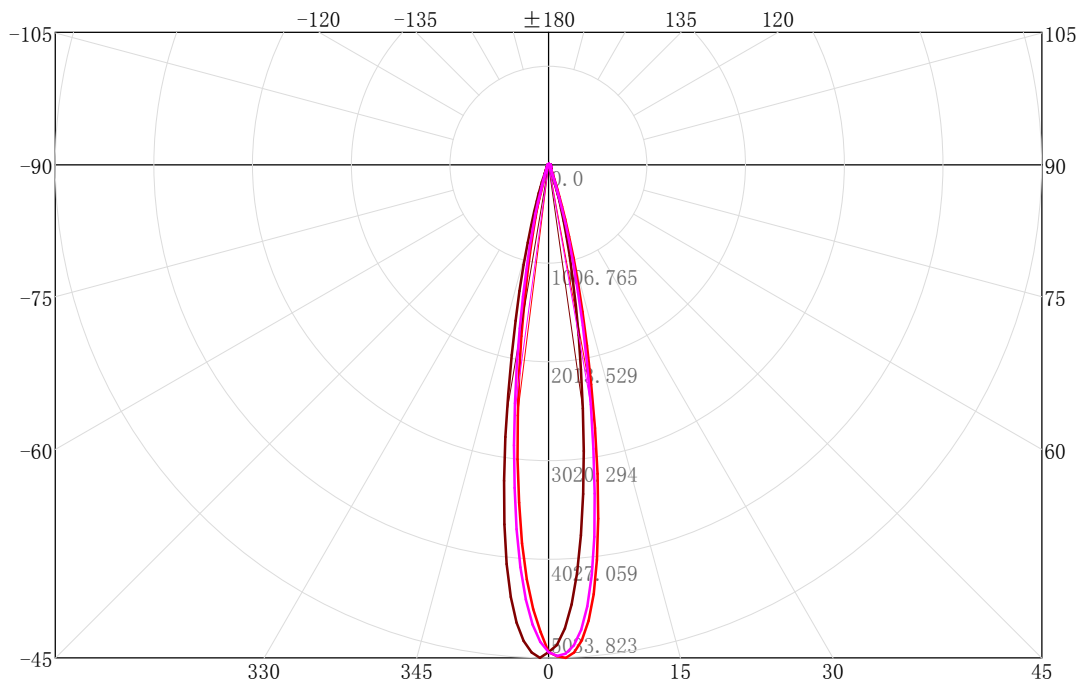
IES Indoor Report

Photometric Filename:AD10681 10W 1002C4 3090 HK35-15D 250.IES

2D Plane Light Intensity Distribution Curve

Lum. Name: AD10681	Lum. Catalog: Down Light	Test ID:
Lamp Name: 1002	Lamp Catalog: COB	Test Lab: Test
Manufacture: -	Test Machine: GON-2000	Test Date: 2023/05/20

C Plane Distribution Diagram



	C Plane	[50%MaxAng.]	[10%MaxAng.]	Unit:cd
—	C135.0_315.0:	17.6	32.0	
—	C0.0_180.0 :	17.7	32.7	
—	C90.0_270.0 :	17.8	31.9	

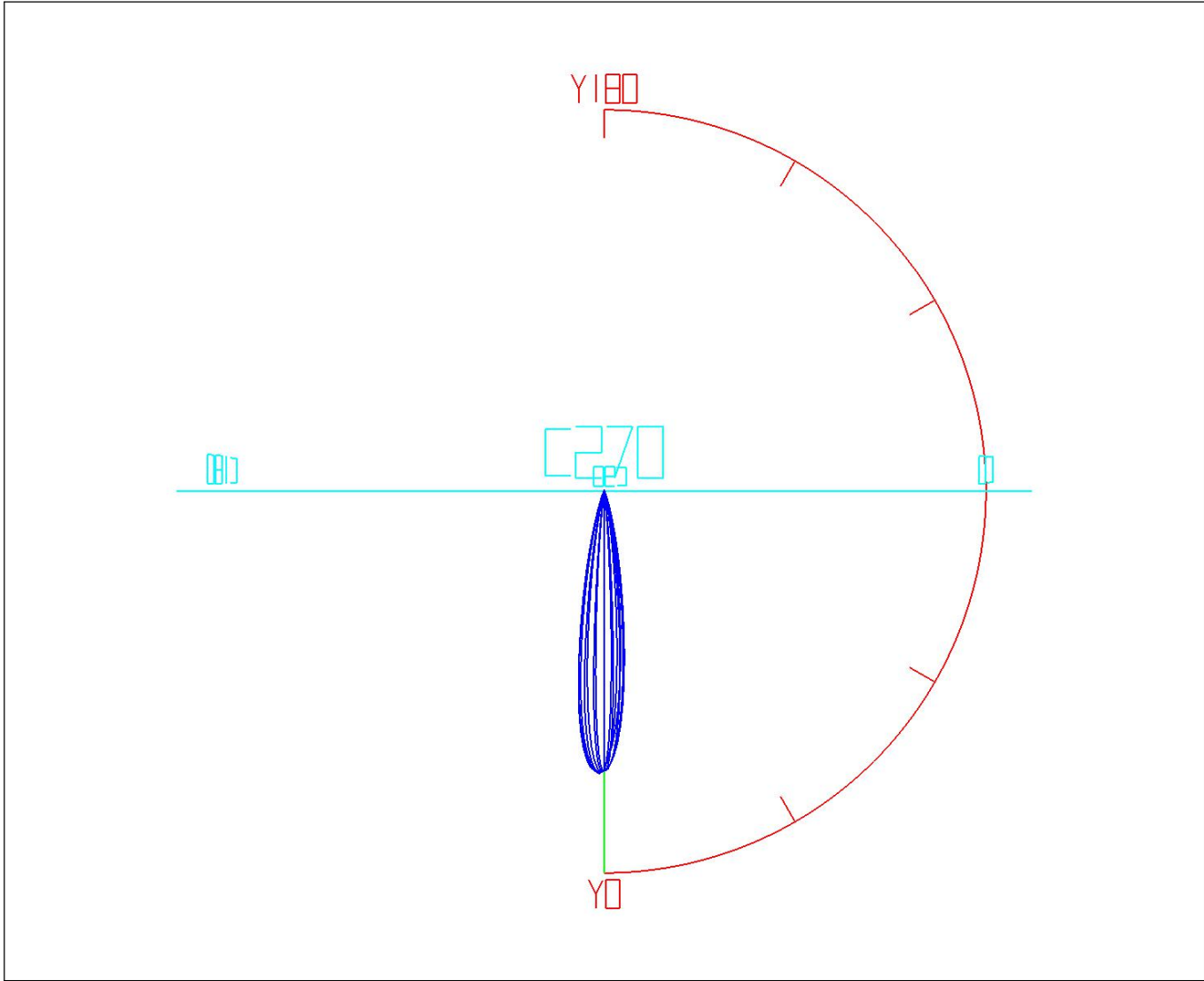
IES Indoor Report

Photometric Filename:AD10681 10W 1002C4 3090 HK35-15D 250.IES

3D Light Intensity Distribution Modal

Lum. Name: AD10681	Lum. Catalog: Down Light	Test ID:
Lamp Name: 1002	Lamp Catalog: COB	Test Lab: Test
Manufacture: -	Test Machine:GON-2000	Test Date: 2023/05/20

3D Light Intensity Distribution Modal



Curves: 3D Model ——— Fixture ——— Vert. HUD ——— Hori. HUD ———
View Angles: Orient:0 Tilt:0 Roll:0 Spin:0

IES Indoor Report

Photometric Filename:AD10681 10W 1002C4 3090 HK35-15D 250.IES

Zonal Flux Tabulation

Zone (γ)	Zone Flux (lm)	Sums Flux (lm)	Zone%Lamp	Sums%Lamp	Zone (γ)	Zone Flux (lm)	Sums Flux (lm)	Zone%Lamp	Sums%Lamp
0.0-1.0	4.74	4.74	0.70	0.70	47.0-48.0	1.23	606.76	0.18	89.89
1.0-2.0	14.03	18.77	2.08	2.78	48.0-49.0	1.13	607.88	0.17	90.06
2.0-3.0	22.72	41.49	3.37	6.15	49.0-50.0	1.04	608.92	0.15	90.21
3.0-4.0	30.41	71.90	4.51	10.65	50.0-51.0	0.98	609.90	0.14	90.36
4.0-5.0	36.70	108.60	5.44	16.09	51.0-52.0	0.93	610.83	0.14	90.49
5.0-6.0	41.26	149.86	6.11	22.20	52.0-53.0	0.89	611.71	0.13	90.62
6.0-7.0	43.92	193.78	6.51	28.71	53.0-54.0	0.86	612.57	0.13	90.75
7.0-8.0	44.67	238.46	6.62	35.33	54.0-55.0	0.83	613.40	0.12	90.87
8.0-9.0	43.71	282.16	6.48	41.80	55.0-56.0	0.80	614.20	0.12	90.99
9.0-10.0	41.37	323.54	6.13	47.93	56.0-57.0	0.78	614.98	0.12	91.11
10.0-11.0	38.05	361.59	5.64	53.57	57.0-58.0	0.77	615.75	0.11	91.22
11.0-12.0	34.14	395.72	5.06	58.63	58.0-59.0	0.75	616.50	0.11	91.33
12.0-13.0	29.98	425.70	4.44	63.07	59.0-60.0	0.74	617.24	0.11	91.44
13.0-14.0	25.80	451.50	3.82	66.89	60.0-61.0	0.73	617.96	0.11	91.55
14.0-15.0	21.77	473.27	3.23	70.11	61.0-62.0	0.72	618.68	0.11	91.66
15.0-16.0	18.07	491.34	2.68	72.79	62.0-63.0	0.71	619.40	0.11	91.76
16.0-17.0	14.81	506.15	2.19	74.98	63.0-64.0	0.71	620.10	0.10	91.87
17.0-18.0	12.05	518.20	1.79	76.77	64.0-65.0	0.70	620.81	0.10	91.97
18.0-19.0	9.78	527.98	1.45	78.22	65.0-66.0	0.70	621.50	0.10	92.07
19.0-20.0	7.95	535.94	1.18	79.40	66.0-67.0	0.69	622.20	0.10	92.18
20.0-21.0	6.52	542.45	0.97	80.36	67.0-68.0	0.69	622.88	0.10	92.28
21.0-22.0	5.43	547.88	0.80	81.17	68.0-69.0	0.68	623.56	0.10	92.38
22.0-23.0	4.62	552.50	0.68	81.85	69.0-70.0	0.68	624.25	0.10	92.48
23.0-24.0	4.05	556.55	0.60	82.45	70.0-71.0	0.68	624.93	0.10	92.58
24.0-25.0	3.63	560.18	0.54	82.99	71.0-72.0	0.68	625.61	0.10	92.68
25.0-26.0	3.31	563.49	0.49	83.48	72.0-73.0	0.68	626.29	0.10	92.78
26.0-27.0	3.06	566.55	0.45	83.93	73.0-74.0	0.67	626.96	0.10	92.88
27.0-28.0	2.84	569.39	0.42	84.35	74.0-75.0	0.67	627.64	0.10	92.98
28.0-29.0	2.64	572.03	0.39	84.74	75.0-76.0	0.67	628.31	0.10	93.08
29.0-30.0	2.46	574.49	0.36	85.11	76.0-77.0	0.67	628.98	0.10	93.18
30.0-31.0	2.30	576.78	0.34	85.45	77.0-78.0	0.67	629.65	0.10	93.28
31.0-32.0	2.16	578.94	0.32	85.77	78.0-79.0	0.67	630.33	0.10	93.38
32.0-33.0	2.05	580.99	0.30	86.07	79.0-80.0	0.68	631.00	0.10	93.48
33.0-34.0	1.96	582.95	0.29	86.36	80.0-81.0	0.67	631.68	0.10	93.58
34.0-35.0	1.90	584.85	0.28	86.65	81.0-82.0	0.67	632.35	0.10	93.68
35.0-36.0	1.86	586.72	0.28	86.92	82.0-83.0	0.68	633.03	0.10	93.78
36.0-37.0	1.84	588.55	0.27	87.19	83.0-84.0	0.68	633.71	0.10	93.88
37.0-38.0	1.83	590.38	0.27	87.46	84.0-85.0	0.69	634.40	0.10	93.98
38.0-39.0	1.83	592.21	0.27	87.73	85.0-86.0	0.69	635.08	0.10	94.09
39.0-40.0	1.83	594.03	0.27	88.01	86.0-87.0	0.68	635.77	0.10	94.19
40.0-41.0	1.83	595.86	0.27	88.28	87.0-88.0	0.68	636.45	0.10	94.29
41.0-42.0	1.81	597.67	0.27	88.54	88.0-89.0	0.68	637.13	0.10	94.39
42.0-43.0	1.76	599.43	0.26	88.80	89.0-90.0	0.67	637.80	0.10	94.49
43.0-44.0	1.69	601.12	0.25	89.05	90.0-91.0	0.67	638.47	0.10	94.59
44.0-45.0	1.59	602.71	0.24	89.29	91.0-92.0	0.66	639.13	0.10	94.69
45.0-46.0	1.47	604.18	0.22	89.51	92.0-93.0	0.66	639.79	0.10	94.78
46.0-47.0	1.35	605.53	0.20	89.71	93.0-94.0	0.65	640.44	0.10	94.88

IES Indoor Report

Photometric Filename:AD10681 10W 1002C4 3090 HK35-15D 250.IES

Zonal Flux Tabulation - (Cont.)

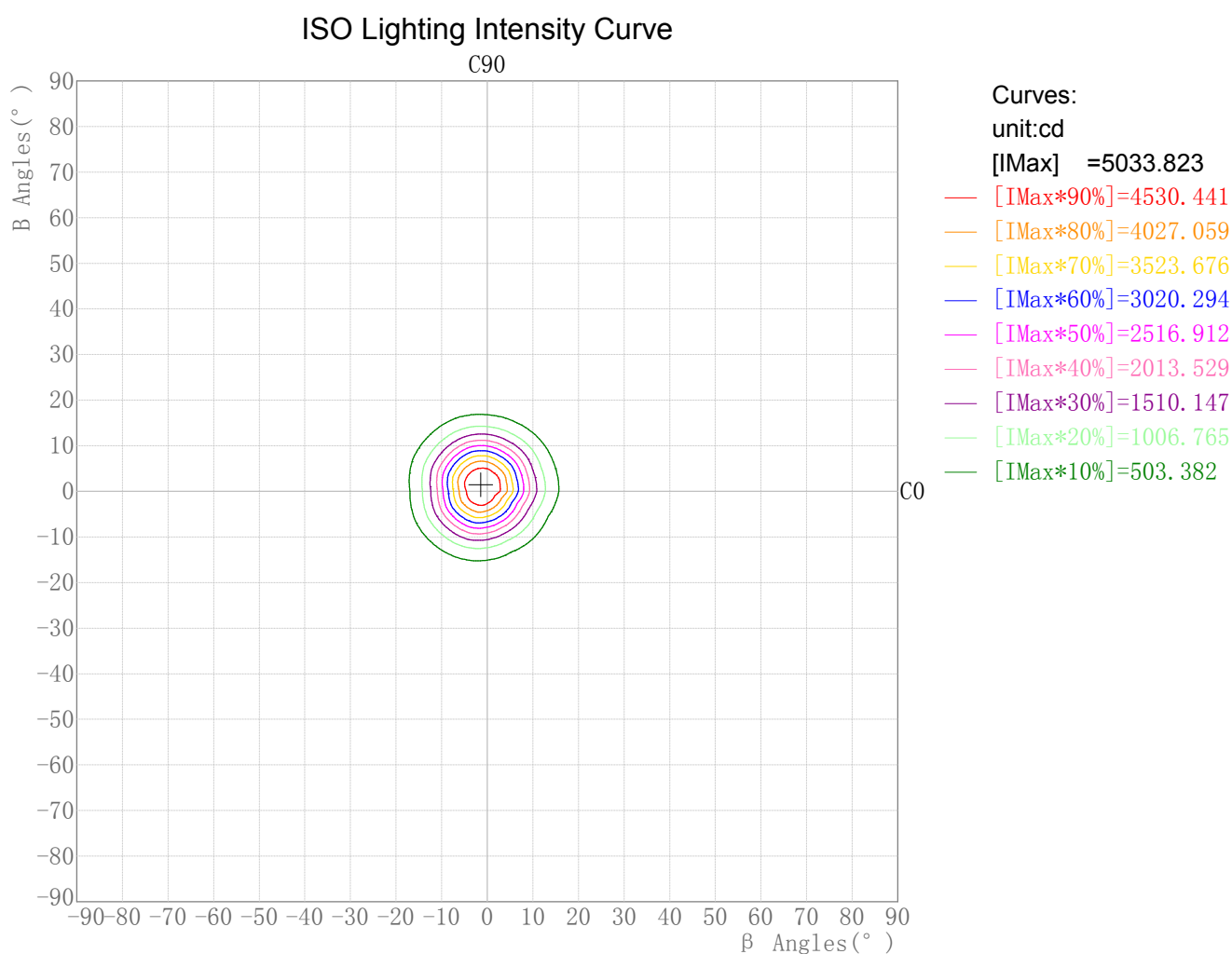
Zone (γ)	Zone Flux (lm)	Sums Flux (lm)	Zone%Lamp	Sums%Lamp	Zone (γ)	Zone Flux (lm)	Sums Flux (lm)	Zone%Lamp	Sums%Lamp
94.0-95.0	0.65	641.09	0.10	94.98	141.0-142.0	0.38	666.29	0.06	98.71
95.0-96.0	0.64	641.74	0.10	95.07	142.0-143.0	0.37	666.66	0.06	98.76
96.0-97.0	0.64	642.38	0.09	95.17	143.0-144.0	0.37	667.03	0.05	98.82
97.0-98.0	0.64	643.01	0.09	95.26	144.0-145.0	0.37	667.40	0.05	98.87
98.0-99.0	0.63	643.65	0.09	95.36	145.0-146.0	0.36	667.76	0.05	98.93
99.0-100.0	0.63	644.27	0.09	95.45	146.0-147.0	0.36	668.12	0.05	98.98
100.0-101.0	0.63	644.90	0.09	95.54	147.0-148.0	0.35	668.47	0.05	99.03
101.0-102.0	0.62	645.52	0.09	95.63	148.0-149.0	0.34	668.81	0.05	99.08
102.0-103.0	0.62	646.14	0.09	95.72	149.0-150.0	0.34	669.15	0.05	99.13
103.0-104.0	0.62	646.75	0.09	95.82	150.0-151.0	0.33	669.48	0.05	99.18
104.0-105.0	0.62	647.37	0.09	95.91	151.0-152.0	0.33	669.81	0.05	99.23
105.0-106.0	0.61	647.98	0.09	96.00	152.0-153.0	0.33	670.14	0.05	99.28
106.0-107.0	0.60	648.58	0.09	96.09	153.0-154.0	0.32	670.46	0.05	99.33
107.0-108.0	0.60	649.18	0.09	96.17	154.0-155.0	0.32	670.78	0.05	99.37
108.0-109.0	0.60	649.77	0.09	96.26	155.0-156.0	0.31	671.09	0.05	99.42
109.0-110.0	0.60	650.37	0.09	96.35	156.0-157.0	0.30	671.39	0.04	99.47
110.0-111.0	0.60	650.97	0.09	96.44	157.0-158.0	0.29	671.68	0.04	99.51
111.0-112.0	0.59	651.56	0.09	96.53	158.0-159.0	0.29	671.97	0.04	99.55
112.0-113.0	0.58	652.14	0.09	96.61	159.0-160.0	0.28	672.25	0.04	99.59
113.0-114.0	0.58	652.72	0.09	96.70	160.0-161.0	0.27	672.52	0.04	99.63
114.0-115.0	0.57	653.29	0.09	96.78	161.0-162.0	0.26	672.78	0.04	99.67
115.0-116.0	0.57	653.86	0.08	96.87	162.0-163.0	0.25	673.02	0.04	99.71
116.0-117.0	0.57	654.43	0.08	96.95	163.0-164.0	0.24	673.26	0.03	99.74
117.0-118.0	0.56	654.99	0.08	97.04	164.0-165.0	0.23	673.49	0.03	99.78
118.0-119.0	0.55	655.54	0.08	97.12	165.0-166.0	0.21	673.70	0.03	99.81
119.0-120.0	0.55	656.10	0.08	97.20	166.0-167.0	0.20	673.90	0.03	99.84
120.0-121.0	0.55	656.64	0.08	97.28	167.0-168.0	0.18	674.08	0.03	99.86
121.0-122.0	0.54	657.18	0.08	97.36	168.0-169.0	0.17	674.25	0.02	99.89
122.0-123.0	0.53	657.71	0.08	97.44	169.0-170.0	0.15	674.40	0.02	99.91
123.0-124.0	0.52	658.23	0.08	97.52	170.0-171.0	0.14	674.54	0.02	99.93
124.0-125.0	0.51	658.75	0.08	97.59	171.0-172.0	0.12	674.67	0.02	99.95
125.0-126.0	0.51	659.25	0.08	97.67	172.0-173.0	0.11	674.78	0.02	99.97
126.0-127.0	0.50	659.75	0.07	97.74	173.0-174.0	0.09	674.87	0.01	99.98
127.0-128.0	0.49	660.24	0.07	97.81	174.0-175.0	0.08	674.95	0.01	99.99
128.0-129.0	0.48	660.73	0.07	97.89	175.0-176.0	0.06	675.01	0.01	100.00
129.0-130.0	0.48	661.21	0.07	97.96	176.0-177.0	0.05	675.06	0.01	100.01
130.0-131.0	0.47	661.68	0.07	98.03	177.0-178.0	0.04	675.10	0.01	100.01
131.0-132.0	0.46	662.14	0.07	98.09	178.0-179.0	0.02	675.12	0.00	100.02
132.0-133.0	0.45	662.59	0.07	98.16	179.0-180.0	0.01	675.13	0.00	100.02
133.0-134.0	0.44	663.04	0.07	98.23					
134.0-135.0	0.43	663.47	0.06	98.29					
135.0-136.0	0.42	663.89	0.06	98.35					
136.0-137.0	0.42	664.31	0.06	98.42					
137.0-138.0	0.41	664.72	0.06	98.48					
138.0-139.0	0.40	665.12	0.06	98.54					
139.0-140.0	0.40	665.52	0.06	98.60					
140.0-141.0	0.39	665.91	0.06	98.65					

IES Indoor Report

Photometric Filename:AD10681 10W 1002C4 3090 HK35-15D 250.IES

Rectangle ISO Lighting Intensity Diagram

Lum. Name: AD10681	Lum. Catalog: Down Light	Test ID:
Lamp Name: 1002	Lamp Catalog: COB	Test Lab: Test
Manufacture: -	Test Machine: GON-2000	Test Date: 2023/05/20



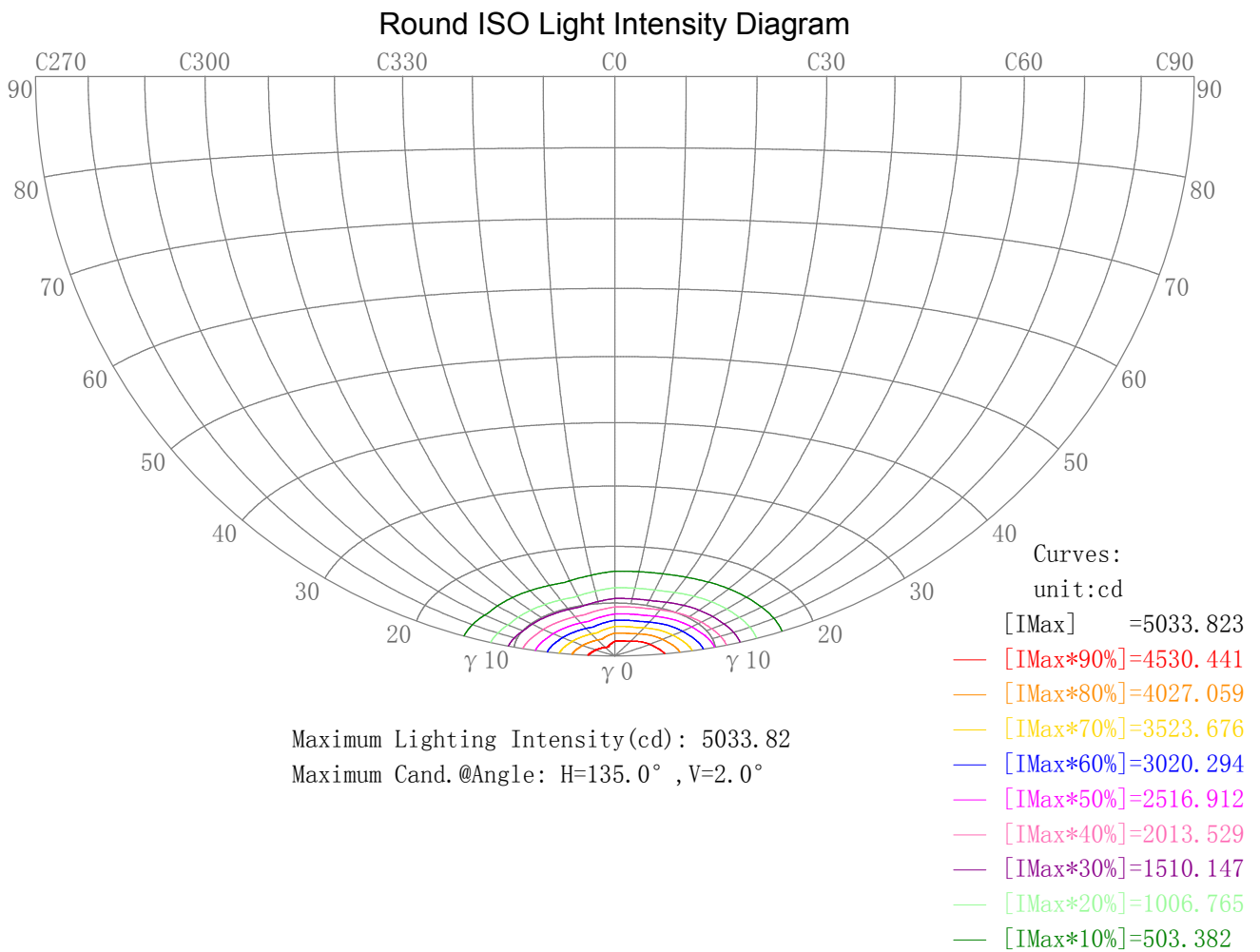
Maximum Light Intensity(cd): 5033.82
Maximum Cand.@Angle: H=-1.4°,V=1.4°

IES Indoor Report

Photometric Filename:AD10681 10W 1002C4 3090 HK35-15D 250.IES

Round ISO Lighting Intensity Diagram

Lum. Name: AD10681	Lum. Catalog: Down Light	Test ID:
Lamp Name: 1002	Lamp Catalog: COB	Test Lab: Test
Manufacture: -	Test Machine: GON-2000	Test Date: 2023/05/20



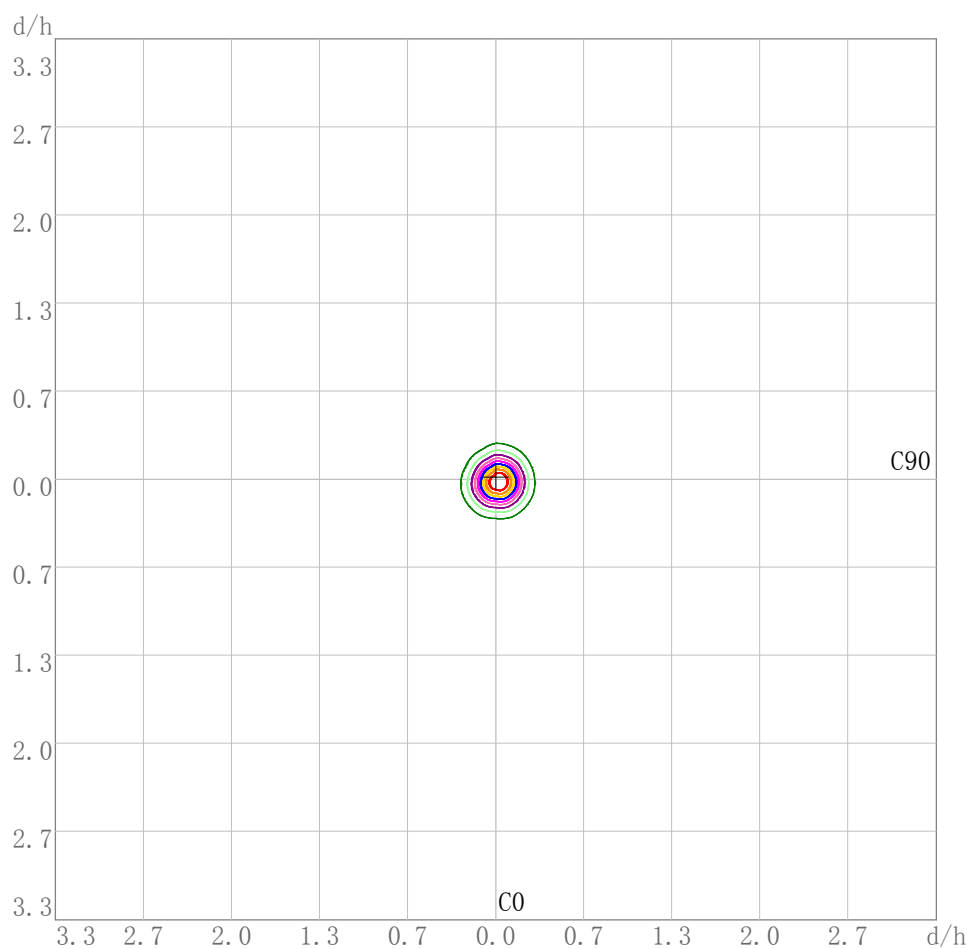
IES Indoor Report

Photometric Filename:AD10681 10W 1002C4 3090 HK35-15D 250.IES

Plane ISO-Illuminance Diagram

Lum. Name: AD10681	Lum. Catalog: Down Light	Test ID:
Lamp Name: 1002	Lamp Catalog: COB	Test Lab: Test
Manufacture: -	Test Machine: GON-2000	Test Date: 2023/05/20

Plane ISO-Illuminance Curve



- Curves:
unit:lx
[EMax] =558.659
- [EMax*90%]=502.793
 - [EMax*80%]=446.927
 - [EMax*70%]=391.061
 - [EMax*60%]=335.195
 - [EMax*50%]=279.329
 - [EMax*40%]=223.464
 - [EMax*30%]=167.598
 - [EMax*20%]=111.732
 - [EMax*10%]=55.866

Working Plane Luminaire Mounting Height(m): 3.00
Working Plane Maximum Illuminance(lx): 558.66
Working Plane Maximum Illuminance Position(d/h):H0.0 V-0.0

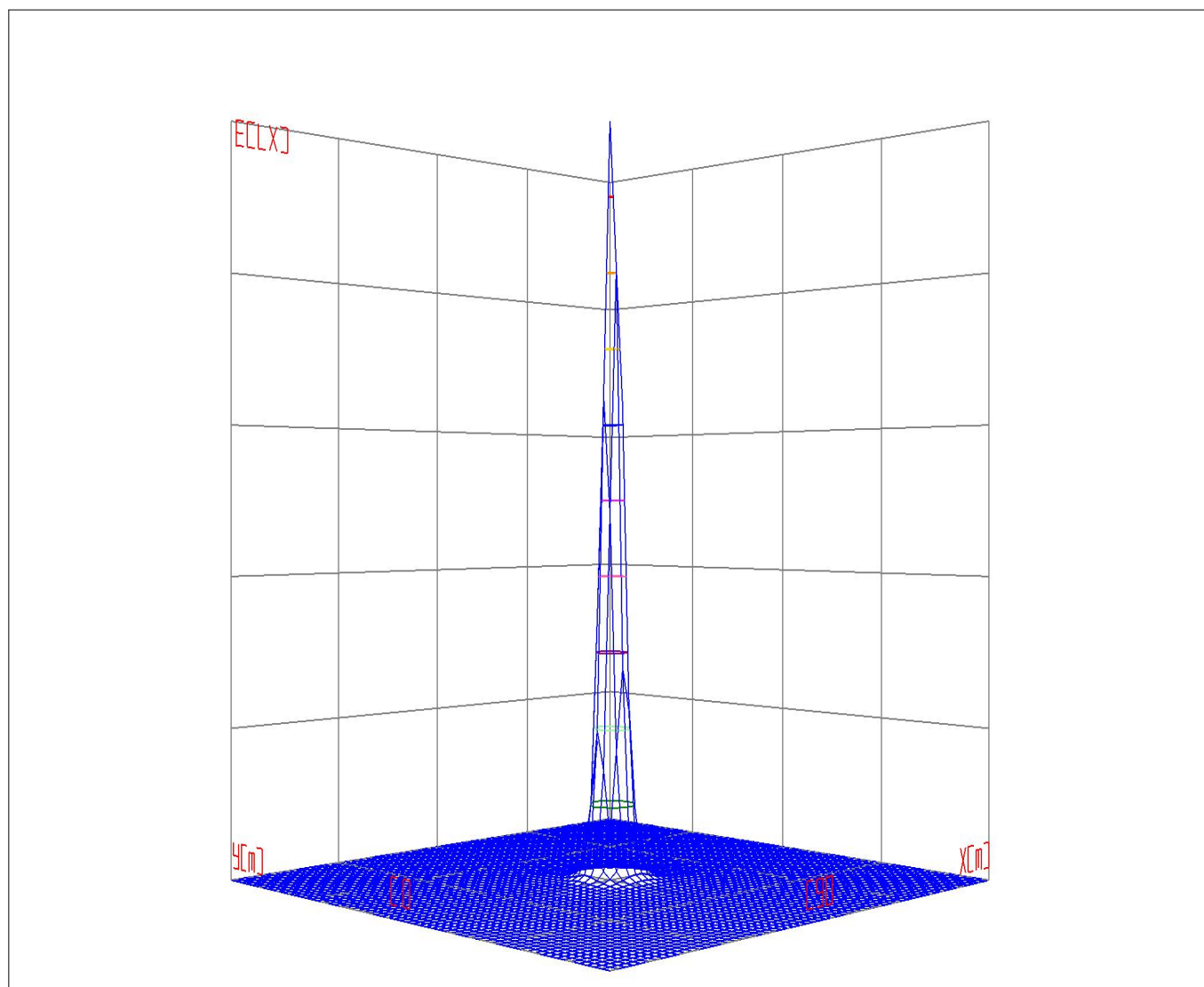
IES Indoor Report

Photometric Filename:AD10681 10W 1002C4 3090 HK35-15D 250.IES

3D Plane ISO Illuminance Diagram

Lum. Name: AD10681	Lum. Catalog: Down Light	Test ID:
Lamp Name: 1002	Lamp Catalog: COB	Test Lab: Test
Manufacture: -	Test Machine: GON-2000	Test Date: 2023/05/20

3D Plane Illuminance Modal



Curves: 3D Model — 90% — 80% — 70% — 60% — 50% — 40% — 30% — 20% — 10% —
View Angles(deg): 0 Height(m): 3.0 Distance(m): 10.0

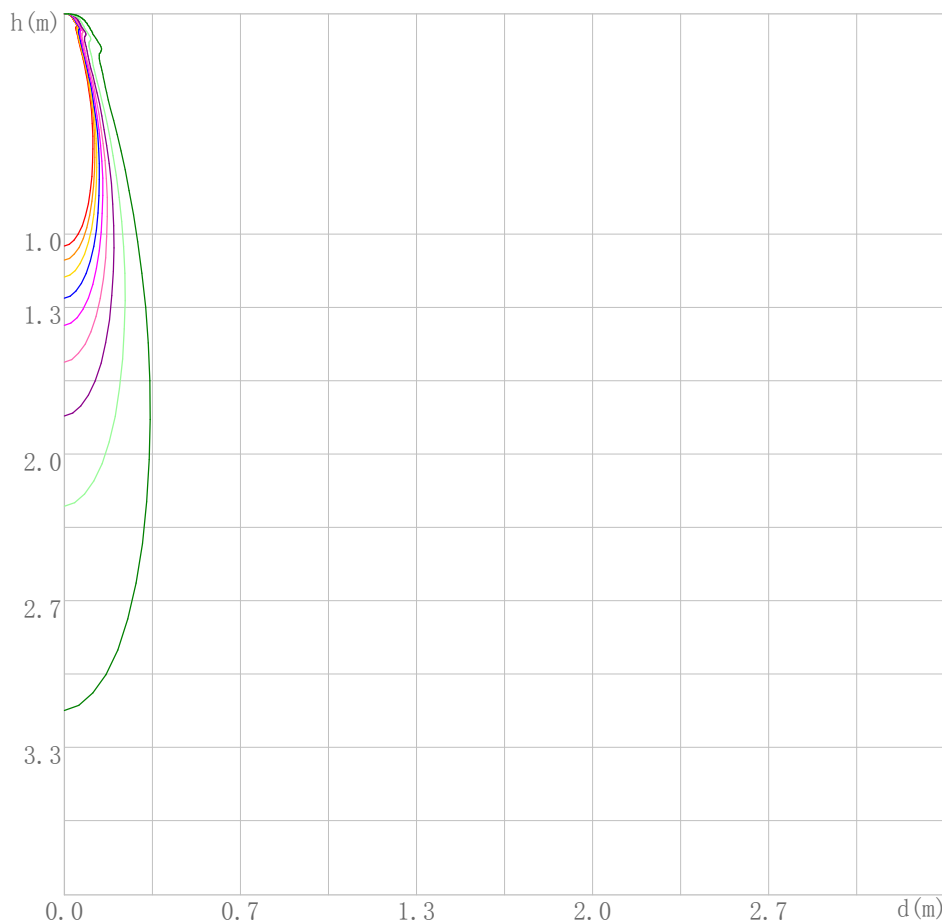
IES Indoor Report

Photometric Filename:AD10681 10W 1002C4 3090 HK35-15D 250.IES

Space ISO Illuminance Diagram

Lum. Name: AD10681	Lum. Catalog: Down Light	Test ID:
Lamp Name: 1002	Lamp Catalog: COB	Test Lab: Test
Manufacture: -	Test Machine: GON-2000	Test Date: 2023/05/20

Space ISO Illuminance Curve



- Curves:
[Unit: lx]
[EMax] =4971.125
- [EMax*90%]=4474.012
 - [EMax*80%]=3976.900
 - [EMax*70%]=3479.787
 - [EMax*60%]=2982.675
 - [EMax*50%]=2485.563
 - [EMax*40%]=1988.450
 - [EMax*30%]=1491.338
 - [EMax*20%]=994.225
 - [EMax*10%]=497.113

Space Plane Maximum Illuminance and @Angle:4971.13lx,0.0deg
Plane Maximum Lighting Intensity and @Angle:4971.125cd,0deg

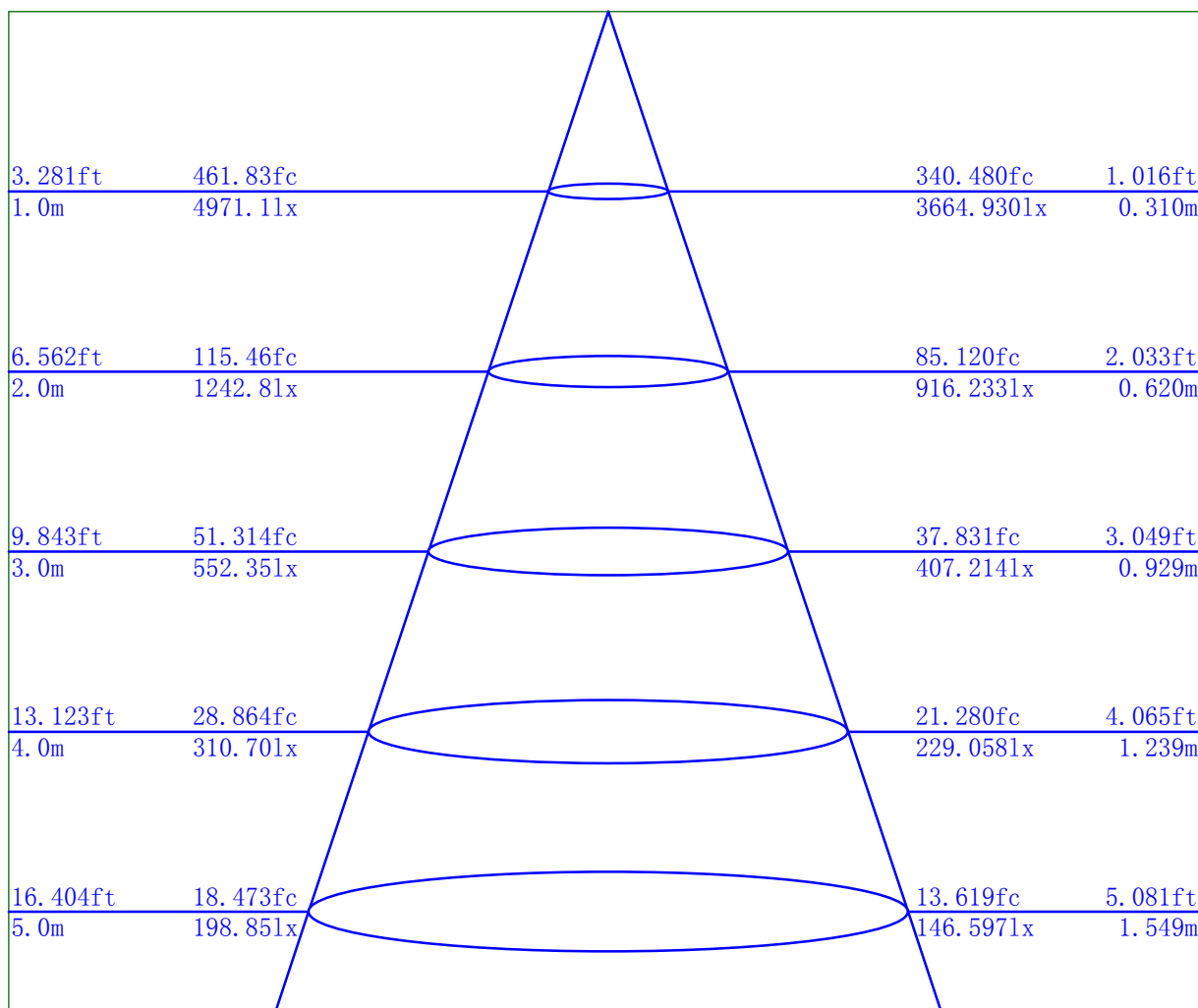
IES Indoor Report

Photometric Filename:AD10681 10W 1002C4 3090 HK35-15D 250.IES

Illuminance-Distance Diagram

Lum. Name: AD10681	Lum. Catalog: Down Light	Test ID:
Lamp Name: 1002	Lamp Catalog: COB	Test Lab: Test
Manufacture: -	Test Machine: GON-2000	Test Date: 2023/05/20

Illuminance-Distance Curve



Height

Center E

Average E

Diameter

Beam Angle: 17.6

IES Indoor Report

Photometric Filename:AD10681 10W 1002C4 3090 HK35-15D 250.IES

Indoor Luminance Limiting Curves

Lum. Name: AD10681	Lum. Catalog: Down Light	Test ID:
Lamp Name: 1002	Lamp Catalog: COB	Test Lab: Test
Manufacture: -	Test Machine: GON-2000	Test Date: 2023/05/20

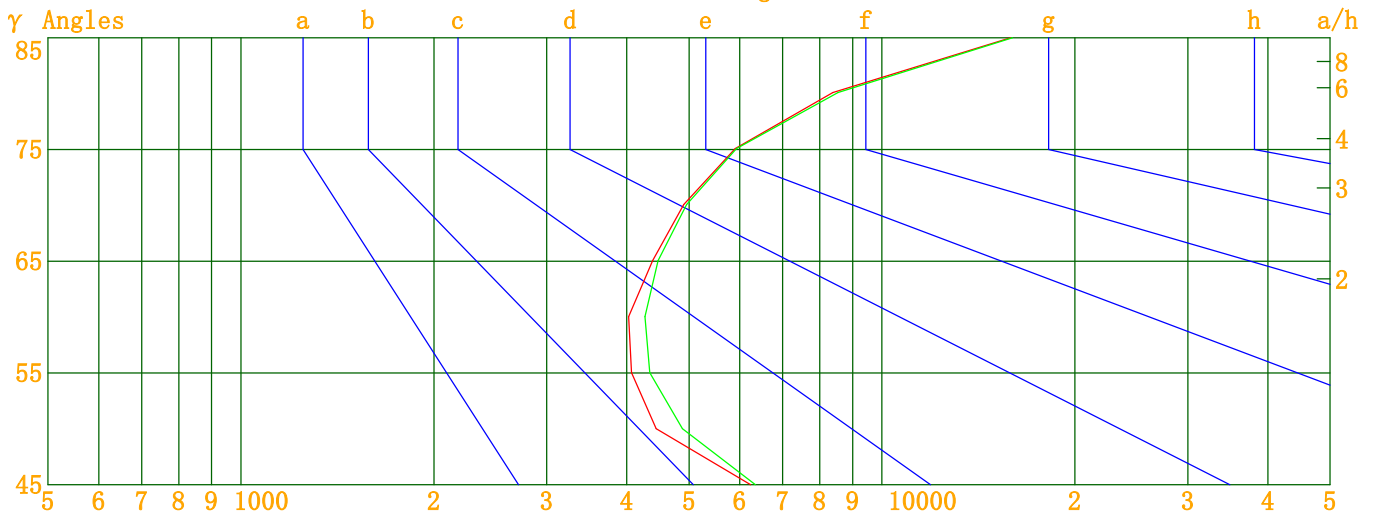
Glare Grade Table

GI	Quality	Using Illuminance							
		a	b	c	d	e	f	g	h
1.15	A	2000	1000	500	<=300				
1.5	B		2000	1000	500	<=300			
1.85	C			2000	1000	500	<=300		
2.2	D				2000	1000	500	<=300	
2.55	E	a				2000	1000	500	<=300
			b	c	d	e	f	g	h

Luminance Table

Gama (deg)	45	50	55	60	65	70	75	80	85
C0	6240	4445	4068	4028	4387	4906	5904	8382	15878
C90	6344	4885	4342	4271	4476	4958	5931	8537	15986

Luminance Limiting Curve



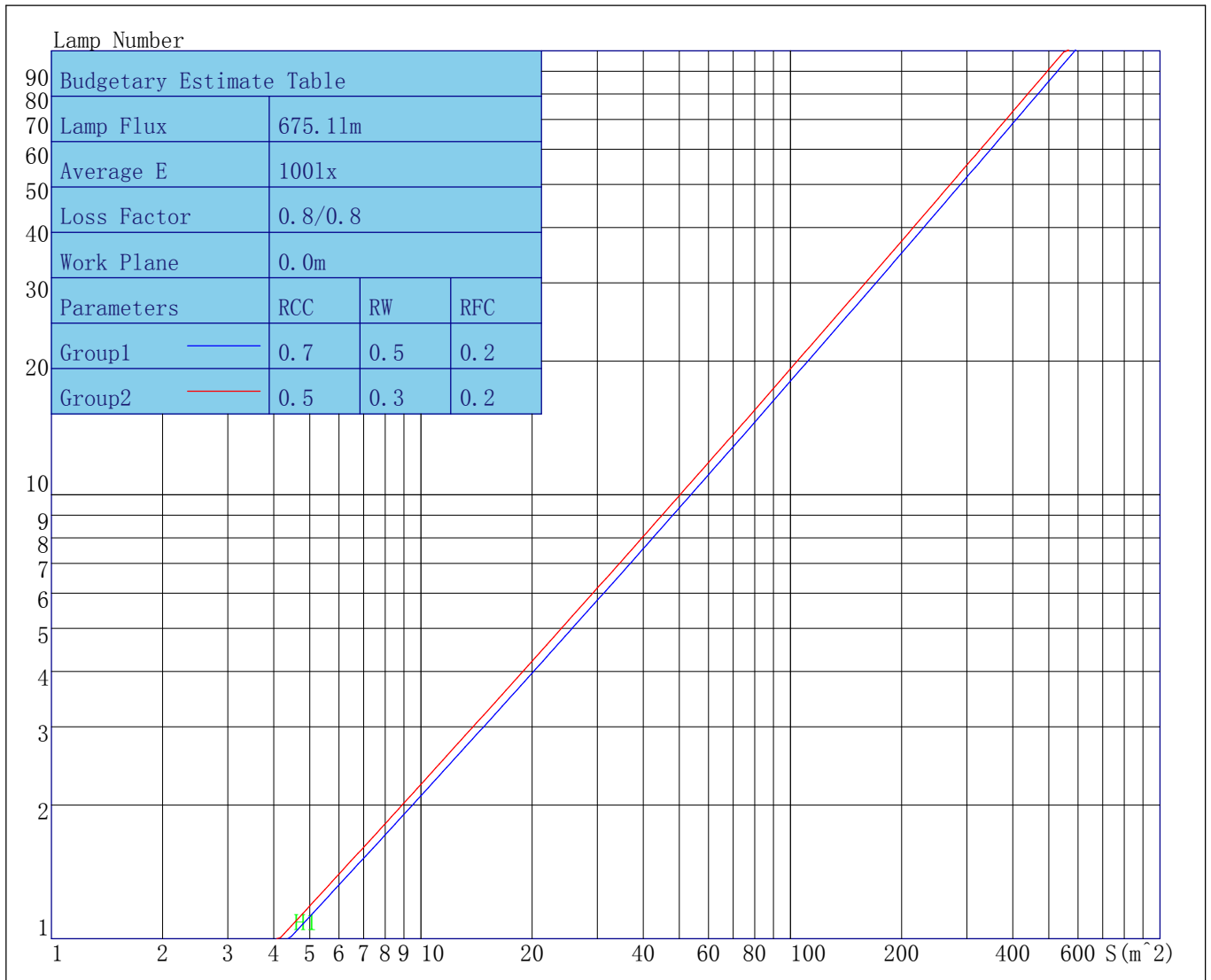
Luminous Size: Length(m)=-0.082 Width(m)=-0.082 Height(m)=0.000 Area(m²)=0.005281
 Luminous Type: Without Luminous Side
 Luminous Curves: C0-C180 Color: — C90-C270 Color: —

IES Indoor Report

Photometric Filename: AD10681 10W 1002C4 3090 HK35-15D 250.IES

Indoor Budgetary Estimate Table

Lum. Name: AD10681	Lum. Catalog: Down Light	Test ID:
Lamp Name: 1002	Lamp Catalog: COB	Test Lab: Test
Manufacture: -	Test Machine: GON-2000	Test Date: 2023/05/20



Parameters1: Rhocc = 0.7 Rhow = 0.5 Rhofc = 0.2 LLF = 0.8
 Parameters2: Rhocc = 0.5 Rhow = 0.3 Rhofc = 0.2 LLF = 0.8
 Average Illuminance(lx): 100 Cavity Height: H1(m) = 2

IES Indoor Report

Photometric Filename:AD10681 10W 1002C4 3090 HK35-15D 250.IES

Indoor Coefficient of Utilization Table

Lum. Name: AD10681	Lum. Catalog: Down Light	Test ID:
Lamp Name: 1002	Lamp Catalog: COB	Test Lab: Test
Manufacture: -	Test Machine:GON-2000	Test Date: 2023/05/20

Coefficients of Utilization - Zonal Cavity Method																		
Coef.	Effective Floor Cavity Reflectance RFC=0.20																	
RhoCC (%)	80				70				50			30			10			0
RhoW (%)	70	50	30	10	70	50	30	10	50	30	10	50	30	10	50	30	10	0
RCR	Coefficient of Utilization(%)																	
0	118	118	118	118	114	114	114	114	108	108	108	102	102	102	97	97	97	94
1	113	111	108	107	110	108	106	104	103	101	100	98	97	96	94	93	93	90
2	109	105	102	99	106	103	100	98	99	97	95	95	93	92	92	90	89	87
3	105	101	97	94	103	99	95	93	95	93	90	92	90	88	90	88	86	85
4	102	97	93	89	100	95	91	89	93	89	87	90	87	85	88	86	84	83
5	99	93	89	86	98	92	88	85	90	87	84	88	85	83	86	84	82	81
6	97	90	86	83	95	89	86	83	88	84	82	86	83	81	84	82	80	79
7	94	88	84	81	93	87	83	80	85	82	80	84	81	79	83	80	78	77
8	92	86	82	79	91	85	81	78	84	80	78	82	79	77	81	79	77	76
9	90	84	80	77	89	83	79	77	82	78	76	81	78	76	80	77	75	74
10	88	82	78	75	87	81	78	75	80	77	75	79	76	74	78	76	74	73

IES Indoor Report

Photometric Filename:AD10681 10W 1002C4 3090 HK35-15D 250.IES

Unified Glare Rating Table

Lum. Name: AD10681	Lum. Catalog: Down Light	Test ID:
Lamp Name: 1002	Lamp Catalog: COB	Test Lab: Test
Manufacture: -	Test Machine:GON-2000	Test Date: 2023/05/20

Unified Glare Rating Table

Ceiling RCC	0.70	0.70	0.50	0.50	0.30	0.70	0.70	0.50	0.50	0.30
Wall RW	0.50	0.30	0.50	0.30	0.30	0.50	0.30	0.50	0.30	0.30
Floor RFC	0.20	0.20	0.20	0.20	0.20	0.20	0.20	0.20	0.20	0.20
Room Size	Vewed crosswise					Vewed endwise				
X=2H Y=2H	9.8	10.8	10.3	11.2	11.6	11.1	12.0	11.6	12.5	12.9
Y=3H	11.8	12.6	12.3	13.1	13.6	12.9	13.7	13.4	14.1	14.6
Y=4H	13.1	13.9	13.6	14.3	14.8	14.0	14.8	14.5	15.2	15.8
Y=6H	14.7	15.4	15.2	15.9	16.4	15.4	16.1	15.9	16.6	17.1
Y=8H	15.7	16.3	16.2	16.8	17.4	16.2	16.9	16.8	17.4	17.9
Y=12H	16.8	17.4	17.4	17.9	18.5	17.3	17.9	17.8	18.4	18.9
X=4H Y=2H	10.3	11.0	10.8	11.5	12.0	11.7	12.4	12.2	12.9	13.4
Y=3H	12.5	13.1	13.0	13.6	14.2	13.8	14.4	14.3	14.9	15.5
Y=4H	14.0	14.6	14.5	15.1	15.7	15.1	15.7	15.7	16.2	16.8
Y=6H	15.9	16.3	16.4	16.9	17.5	16.7	17.2	17.3	17.8	18.4
Y=8H	17.0	17.4	17.5	17.9	18.5	17.7	18.1	18.3	18.7	19.3
Y=12H	18.3	18.7	18.9	19.3	19.9	18.8	19.2	19.4	19.8	20.4
X=8H Y=4H	14.5	14.9	15.1	15.5	16.1	15.7	16.1	16.3	16.7	17.3
Y=6H	16.6	16.9	17.2	17.5	18.2	17.6	17.9	18.2	18.5	19.2
Y=8H	17.9	18.2	18.5	18.8	19.4	18.7	19.0	19.4	19.7	20.3
Y=12H	19.5	19.7	20.1	20.3	21.0	20.1	20.4	20.8	21.0	21.7
X=12H Y=4H	14.6	15.0	15.2	15.6	16.2	15.8	16.2	16.4	16.8	17.4
Y=6H	16.8	17.1	17.5	17.7	18.4	17.9	18.2	18.5	18.7	19.4
Y=8H	18.2	18.5	18.9	19.1	19.8	19.1	19.4	19.7	20.0	20.7
Variations with the objverer position at spacings										
S=1.0H	0.1/-0.1					0.0/-0.0				
S=1.5H	0.1/-0.2					0.1/-0.1				
S=2.0H	0.2/-0.4					0.1/-0.2				
Reduced UGR Table:										
Nordic Standard Table:	BKO					BKO				
Correction Value	5.6					5.4				

o the CIE Pub. 117, data has been corrected, refers to the lamp's lumens 8.2flm.

IES Indoor Report

Photometric Filename:AD10681 10W 1002C4 3090 HK35-15D 250.IES

Candela Tabulation

V/H	C0.0	C22.5	C45.0	C67.5	C90.0	C112.5	C135.0	C157.5	C180.0	C202.5	C225.0	C247.5
γ 0.0	4971.13	4971.13	4971.13	4971.13	4971.13	4971.13	4971.13	4971.13	4971.13	4971.13	4971.13	4971.13
γ 1.0	4902.00	4924.49	4978.17	4998.90	5010.10	5027.65	5013.87	4985.48	5030.23	5014.39	4986.29	4945.73
γ 2.0	4732.94	4773.26	4879.86	4937.00	4990.93	5027.00	5033.82	5015.56	4979.69	4955.07	4895.72	4825.75
γ 3.0	4490.98	4544.71	4711.25	4807.09	4909.73	4962.71	4982.30	4963.33	4865.35	4836.10	4735.16	4630.76
γ 4.0	4175.65	4238.12	4465.05	4597.04	4755.76	4835.15	4861.95	4836.37	4683.97	4649.14	4501.60	4359.83
γ 5.0	3795.37	3864.52	4137.72	4307.57	4521.63	4640.81	4670.12	4635.23	4428.29	4388.61	4191.45	4018.09
γ 6.0	3376.25	3452.11	3747.20	3940.68	4208.61	4370.90	4404.69	4360.00	4094.38	4055.38	3818.47	3621.86
γ 7.0	2942.27	3024.42	3328.87	3526.94	3822.99	4022.56	4059.99	4010.14	3696.21	3658.91	3402.24	3201.04
γ 8.0	2511.57	2598.15	2894.35	3086.40	3387.25	3610.93	3645.33	3597.29	3254.30	3223.89	2973.31	2771.99
γ 9.0	2111.92	2192.57	2464.18	2643.40	2932.53	3162.33	3190.56	3153.28	2810.26	2784.95	2547.93	2357.06
γ 10.0	1764.39	1822.09	2058.44	2217.56	2482.93	2701.29	2725.23	2705.85	2373.95	2361.43	2142.20	1968.17
γ 11.0	1458.60	1496.00	1694.83	1827.62	2059.11	2255.25	2282.52	2276.88	1976.55	1971.45	1773.81	1615.83
γ 12.0	1185.97	1215.57	1379.37	1485.31	1675.74	1847.07	1886.17	1890.26	1625.40	1623.84	1448.65	1307.82
γ 13.0	952.46	977.39	1106.77	1190.72	1338.30	1494.10	1539.98	1552.38	1319.81	1319.80	1164.92	1042.22
γ 14.0	754.02	778.83	871.81	939.19	1051.47	1193.92	1240.21	1256.03	1051.22	1054.45	922.75	816.66
γ 15.0	591.08	614.51	676.74	724.98	816.78	941.31	980.03	998.90	821.98	830.18	721.89	629.56
γ 16.0	464.19	478.67	520.93	551.21	625.45	729.48	759.56	780.51	638.67	647.99	560.14	479.31
γ 17.0	365.84	370.35	398.87	416.36	470.14	558.78	581.96	604.36	498.99	503.30	430.54	364.95
γ 18.0	289.11	287.79	304.48	313.80	350.23	425.69	446.35	468.97	391.79	390.20	327.56	278.07
γ 19.0	228.03	224.84	232.89	236.31	262.35	323.26	346.10	366.19	308.24	302.92	248.12	210.85
γ 20.0	179.97	176.41	179.74	179.19	199.02	244.86	271.14	286.59	240.61	235.83	189.30	159.84
γ 21.0	143.46	140.29	141.39	139.16	154.58	186.73	213.12	224.41	188.44	185.56	147.38	124.15
γ 22.0	116.61	114.31	114.80	113.05	124.29	146.06	167.66	175.93	149.45	147.43	117.03	100.07
γ 23.0	97.28	95.53	96.03	95.58	103.66	117.71	134.20	139.98	121.12	118.91	95.82	84.27
γ 24.0	83.67	82.07	82.71	83.33	89.68	99.14	111.00	114.65	100.90	98.00	80.85	73.75
γ 25.0	73.66	72.02	72.85	74.01	79.52	85.44	95.04	96.70	85.99	82.70	70.37	65.45
γ 26.0	65.92	64.48	65.52	67.10	71.57	75.60	83.17	84.06	74.74	71.32	62.14	58.20
γ 27.0	59.48	58.10	59.35	61.12	65.15	68.42	73.60	74.48	65.20	62.44	55.40	51.83
γ 28.0	53.74	52.45	53.53	55.19	59.35	62.62	65.79	66.19	57.66	55.29	49.37	46.68
γ 29.0	48.67	47.40	48.67	50.28	53.67	56.27	59.10	59.26	51.55	49.27	44.50	42.06
γ 30.0	44.53	43.16	44.42	45.33	48.63	50.64	53.05	53.24	46.12	44.25	40.40	38.07
γ 31.0	40.45	39.74	40.37	41.63	44.41	45.97	47.86	48.29	41.58	39.94	36.21	34.47
γ 32.0	36.77	36.32	37.44	38.69	40.93	42.14	43.64	44.17	37.21	36.17	33.22	31.48
γ 33.0	34.70	33.49	34.53	34.85	37.42	38.62	39.85	40.22	34.28	33.38	31.50	29.75
γ 34.0	33.50	31.94	32.09	32.57	34.02	35.63	36.21	36.75	32.54	31.63	29.84	28.41
γ 35.0	32.30	30.97	30.59	30.63	31.68	33.04	33.73	34.84	31.19	30.05	28.29	27.01
γ 36.0	31.24	30.33	29.31	29.16	30.20	31.33	32.19	33.17	29.55	28.94	26.85	26.01
γ 37.0	30.98	29.93	28.60	28.11	28.75	29.93	31.15	31.81	28.49	28.06	26.08	24.83
γ 38.0	30.93	29.58	27.89	27.35	27.63	28.78	30.17	30.82	27.35	27.27	25.52	24.42
γ 39.0	30.72	29.50	27.65	26.57	26.86	27.43	29.29	29.80	26.59	26.70	24.92	23.97
γ 40.0	30.63	29.46	27.68	26.37	26.30	27.10	28.84	28.83	26.11	25.99	24.53	23.70
γ 41.0	30.40	29.15	27.93	26.09	25.90	26.49	28.38	28.39	25.30	25.34	24.00	23.13
γ 42.0	29.65	28.75	27.99	25.68	25.61	26.41	28.08	28.13	24.31	24.28	22.42	21.16
γ 43.0	27.97	27.74	27.46	25.72	25.40	25.98	27.76	27.77	23.10	22.50	20.76	19.20
γ 44.0	25.73	25.95	26.43	25.05	24.79	25.53	27.32	27.13	20.97	20.31	18.66	17.15
γ 45.0	23.30	23.93	24.33	23.38	23.69	24.41	26.27	25.91	18.57	18.14	16.31	15.25
γ 46.0	21.30	21.86	22.56	21.83	22.27	22.82	24.34	24.05	16.47	15.85	14.07	13.27

IES Indoor Report

Photometric Filename:AD10681 10W 1002C4 3090 HK35-15D 250.IES

Candela Tabulation - (Cont.)

V/H	C0.0	C22.5	C45.0	C67.5	C90.0	C112.5	C135.0	C157.5	C180.0	C202.5	C225.0	C247.5
γ 47.0	19.15	19.49	20.70	20.53	20.87	21.46	22.46	22.41	14.32	13.75	12.04	11.25
γ 48.0	17.29	17.52	18.75	18.86	19.41	19.93	20.73	20.72	12.31	11.89	10.10	9.49
γ 49.0	16.04	15.88	17.06	17.10	18.02	18.58	19.05	19.04	10.37	10.25	9.00	8.49
γ 50.0	15.09	14.98	15.87	15.69	16.58	16.76	17.34	17.36	9.27	8.97	8.10	7.67
γ 51.0	14.79	14.26	15.21	14.68	15.32	15.58	16.21	16.11	8.13	8.04	7.55	7.23
γ 52.0	13.97	13.65	14.48	13.90	14.57	14.78	15.15	15.24	7.49	7.27	7.02	6.51
γ 53.0	13.69	13.34	14.00	13.19	13.87	14.18	14.39	14.42	7.20	6.76	6.24	6.24
γ 54.0	12.89	12.99	13.38	13.02	13.42	13.81	13.67	13.88	6.40	6.10	5.87	5.63
γ 55.0	12.32	12.47	12.91	12.49	13.15	13.28	13.07	13.27	5.74	5.68	5.49	5.24
γ 56.0	12.08	12.14	12.46	11.87	12.69	12.41	12.53	12.73	5.59	5.48	5.32	4.93
γ 57.0	11.89	11.72	11.94	11.62	12.29	12.24	12.14	12.51	5.24	5.03	5.08	4.88
γ 58.0	11.25	11.22	11.73	11.47	11.95	11.92	11.77	12.08	5.16	4.79	5.04	4.46
γ 59.0	11.06	10.77	11.07	11.17	11.66	11.55	11.75	11.60	5.05	4.74	4.67	4.40
γ 60.0	10.64	10.62	10.85	10.92	11.28	11.11	11.13	11.14	4.66	4.55	4.86	4.57
γ 61.0	10.32	10.35	10.76	10.82	11.01	10.95	10.80	10.94	4.55	4.46	4.81	4.27
γ 62.0	10.34	10.10	10.55	10.28	10.76	10.54	10.56	10.56	4.63	4.54	4.83	4.18
γ 63.0	10.10	9.89	10.38	9.99	10.45	10.14	10.30	10.40	4.77	4.63	4.66	4.08
γ 64.0	10.18	9.86	10.08	9.82	10.20	10.08	10.07	10.29	4.62	4.47	4.83	4.05
γ 65.0	9.79	9.68	9.79	9.34	9.99	9.70	9.92	10.14	4.58	4.26	4.85	4.19
γ 66.0	9.44	9.24	9.79	9.31	9.77	9.93	9.71	9.95	4.62	4.40	4.54	4.24
γ 67.0	9.40	9.16	9.48	9.19	9.41	9.28	9.36	9.82	4.51	4.57	4.51	4.11
γ 68.0	9.15	9.19	9.21	9.03	9.25	9.12	9.22	9.38	4.36	4.50	4.57	4.04
γ 69.0	9.09	9.03	9.14	8.73	9.25	9.13	9.25	9.12	4.47	4.45	4.41	4.06
γ 70.0	8.86	8.91	9.22	8.74	8.95	8.97	9.00	9.07	4.21	4.51	4.60	4.35
γ 71.0	8.66	8.77	8.94	8.42	8.96	8.73	8.95	8.95	4.49	4.43	4.49	4.45
γ 72.0	8.59	8.56	8.78	8.60	8.85	8.79	8.60	8.70	4.41	4.33	4.72	4.25
γ 73.0	8.57	8.42	8.77	8.33	8.54	8.02	8.25	8.69	4.28	4.44	4.70	4.11
γ 74.0	8.22	8.14	8.87	8.27	8.42	8.41	8.25	8.51	4.45	4.50	4.45	4.35
γ 75.0	8.07	8.12	8.64	8.18	8.11	7.77	8.23	8.35	4.52	4.48	4.45	4.31
γ 76.0	8.21	8.18	8.01	7.81	8.13	7.95	8.17	8.21	4.54	4.52	4.56	4.66
γ 77.0	7.99	8.09	7.81	7.73	7.98	7.94	8.10	8.26	4.51	4.51	4.59	4.74
γ 78.0	7.70	7.91	7.73	7.64	7.77	7.79	8.17	8.24	4.59	4.64	4.71	4.74
γ 79.0	7.68	7.76	7.46	7.59	7.84	7.72	7.96	8.06	4.74	4.96	5.07	4.78
γ 80.0	7.69	7.66	7.57	7.39	7.83	7.63	7.83	7.99	4.94	5.02	5.01	4.65
γ 81.0	7.51	7.53	7.32	7.41	7.61	7.29	7.65	7.99	4.78	4.91	5.22	4.82
γ 82.0	7.54	7.42	7.45	7.33	7.45	7.32	7.54	7.74	4.84	5.13	5.09	5.06
γ 83.0	7.56	7.52	7.45	7.21	7.42	7.49	7.43	7.61	4.98	5.22	5.28	5.00
γ 84.0	7.46	7.54	7.26	7.45	7.38	7.24	7.53	7.40	4.88	5.17	5.47	5.12
γ 85.0	7.31	7.42	7.00	6.99	7.36	7.44	7.38	7.40	5.28	5.11	5.54	5.18
γ 86.0	7.57	7.32	7.05	6.93	7.18	7.15	7.21	7.35	5.32	5.23	5.48	5.26
γ 87.0	7.52	7.24	6.94	6.89	7.09	7.11	7.12	7.27	5.26	5.45	5.48	5.35
γ 88.0	7.26	7.26	6.76	6.75	7.01	6.87	7.07	7.08	5.30	5.43	5.51	5.34
γ 89.0	6.98	7.16	6.73	6.64	7.04	6.85	7.00	6.97	5.39	5.51	5.48	5.21
γ 90.0	7.15	6.92	6.61	6.62	7.01	6.85	7.11	6.98	5.31	5.56	5.56	5.23
γ 91.0	6.91	7.11	6.70	6.53	6.88	6.39	6.78	6.89	5.26	5.73	5.33	5.50
γ 92.0	6.90	7.01	6.71	6.68	6.81	6.40	6.39	6.91	5.36	5.63	5.37	5.73
γ 93.0	6.60	6.82	6.50	6.42	6.72	6.53	6.46	6.77	5.41	5.44	5.51	5.39

IES Indoor Report

Photometric Filename:AD10681 10W 1002C4 3090 HK35-15D 250.IES

Candela Tabulation - (Cont.)

V/H	C0.0	C22.5	C45.0	C67.5	C90.0	C112.5	C135.0	C157.5	C180.0	C202.5	C225.0	C247.5
γ 94.0	6.64	6.89	6.56	6.42	6.72	6.55	6.27	6.47	5.40	5.42	5.41	5.34
γ 95.0	6.61	6.66	6.59	6.35	6.51	6.65	6.36	6.60	5.33	5.26	5.48	5.53
γ 96.0	6.55	6.56	6.59	6.37	6.25	6.38	6.53	6.69	5.49	5.47	5.39	5.22
γ 97.0	6.56	6.51	6.51	6.19	6.44	6.51	6.47	6.60	5.37	5.62	5.31	5.00
γ 98.0	6.51	6.46	6.46	6.20	6.41	6.48	6.28	6.59	5.64	5.63	5.56	5.14
γ 99.0	6.59	6.30	6.31	6.08	6.44	6.33	6.37	6.68	5.54	5.44	5.49	5.08
γ 100.0	6.48	6.36	6.46	5.86	6.44	6.35	6.33	6.60	5.27	5.51	5.30	5.26
γ 101.0	6.38	6.37	6.33	6.14	6.34	6.15	6.19	6.72	5.47	5.69	5.36	5.32
γ 102.0	6.24	6.27	6.21	5.78	6.33	6.26	6.20	6.60	5.30	5.53	5.57	5.23
γ 103.0	6.21	6.28	6.31	5.92	6.23	6.23	6.17	6.34	5.46	5.39	5.71	5.24
γ 104.0	6.22	6.42	6.22	5.95	6.20	6.14	6.11	6.27	5.15	5.54	5.66	5.35
γ 105.0	6.44	6.53	6.18	5.66	6.18	6.33	6.24	6.34	5.40	5.71	5.64	5.24
γ 106.0	6.14	6.49	6.14	5.68	5.93	5.97	5.90	6.12	5.32	5.67	5.66	5.30
γ 107.0	6.15	6.54	5.96	5.91	6.00	6.02	5.98	6.10	5.44	5.60	5.58	5.26
γ 108.0	6.16	6.35	6.02	5.71	5.96	5.95	5.93	5.95	5.43	5.58	5.62	5.39
γ 109.0	6.17	6.26	5.99	6.05	5.94	5.86	6.04	5.92	5.60	5.62	5.70	5.33
γ 110.0	6.04	6.39	5.74	6.20	6.04	6.11	6.08	5.72	5.43	5.74	6.00	5.41
γ 111.0	6.08	6.49	5.80	6.37	5.85	5.89	5.84	5.93	5.69	5.62	5.89	5.40
γ 112.0	5.89	6.37	5.97	6.24	5.67	5.78	5.88	5.96	5.36	5.51	5.99	5.64
γ 113.0	5.98	6.07	5.81	6.42	5.80	6.01	5.99	6.07	5.38	5.60	5.92	5.72
γ 114.0	6.25	6.06	5.67	6.35	5.90	5.89	5.87	6.26	5.37	5.75	5.81	5.48
γ 115.0	5.84	6.03	5.74	6.68	5.93	5.82	5.71	5.96	5.51	5.66	6.20	5.64
γ 116.0	5.85	6.24	5.53	6.62	5.97	5.66	5.62	5.89	5.68	5.85	6.16	5.77
γ 117.0	5.92	6.29	5.76	6.41	5.84	5.78	5.57	5.89	5.57	5.87	5.95	5.61
γ 118.0	6.05	6.26	5.87	5.91	5.83	5.73	5.74	5.81	5.75	5.53	6.06	5.77
γ 119.0	5.81	6.29	5.93	6.28	5.92	5.89	5.80	5.81	5.69	5.61	5.97	5.92
γ 120.0	5.79	6.15	5.94	6.08	6.07	6.01	5.95	5.69	5.66	5.77	6.01	5.83
γ 121.0	5.87	6.05	5.80	6.05	6.03	5.77	5.76	5.74	5.78	5.77	5.91	5.78
γ 122.0	6.05	6.05	5.69	6.16	5.99	5.59	5.79	5.73	5.95	5.54	5.91	5.67
γ 123.0	5.90	6.14	5.68	6.06	5.93	5.86	5.97	5.66	5.72	5.53	5.99	5.74
γ 124.0	5.60	6.05	5.78	5.88	5.96	5.69	5.72	5.80	5.62	5.63	5.97	5.32
γ 125.0	5.69	6.17	5.78	6.11	5.90	5.57	5.64	5.74	5.77	5.49	6.01	5.30
γ 126.0	5.64	6.22	5.70	6.02	5.90	5.87	5.70	5.60	5.56	5.61	6.11	5.53
γ 127.0	5.50	6.11	5.96	6.22	5.84	5.69	5.69	5.63	5.34	5.73	5.73	5.68
γ 128.0	5.61	5.85	5.73	6.32	5.68	5.55	5.59	5.57	5.85	5.70	5.76	5.47
γ 129.0	5.57	5.93	5.69	6.43	5.58	5.64	5.55	5.60	5.72	5.65	5.68	5.57
γ 130.0	5.58	6.00	5.53	6.12	5.68	5.49	5.62	5.56	5.84	5.91	5.80	5.45
γ 131.0	5.41	5.98	5.40	6.10	5.76	5.68	5.59	5.53	5.74	6.01	5.76	5.53
γ 132.0	5.64	5.87	5.57	5.94	5.86	5.48	5.47	5.51	5.55	5.82	5.75	5.63
γ 133.0	5.31	5.73	5.55	6.13	5.77	5.61	5.64	5.67	5.76	5.69	5.74	5.75
γ 134.0	5.31	5.71	5.34	5.64	5.66	5.36	5.46	5.55	5.59	5.77	5.74	5.39
γ 135.0	5.24	5.80	5.32	5.95	5.62	5.43	5.50	5.43	5.66	5.70	5.75	5.37
γ 136.0	5.55	5.96	5.15	5.95	5.46	5.38	5.37	5.50	5.53	5.63	5.80	5.42
γ 137.0	5.52	5.85	5.54	5.95	5.60	5.68	5.19	5.54	5.56	5.79	5.77	5.52
γ 138.0	5.63	5.80	5.50	5.69	5.62	5.57	5.35	5.41	5.49	5.91	5.65	5.68
γ 139.0	5.46	5.83	5.45	5.78	5.59	5.24	5.37	5.42	5.74	5.86	5.83	5.48
γ 140.0	5.64	5.61	5.47	5.86	5.66	5.27	5.13	5.39	5.58	5.86	5.65	5.68

IES Indoor Report

Photometric Filename:AD10681 10W 1002C4 3090 HK35-15D 250.IES

Candela Tabulation - (Cont.)

V/H	C0. 0	C22. 5	C45. 0	C67. 5	C90. 0	C112. 5	C135. 0	C157. 5	C180. 0	C202. 5	C225. 0	C247. 5
γ 141. 0	5. 45	5. 66	5. 58	5. 69	5. 54	5. 11	5. 17	5. 37	5. 28	5. 98	5. 84	5. 65
γ 142. 0	5. 45	5. 80	5. 51	5. 88	5. 42	5. 57	5. 26	5. 28	5. 44	5. 85	5. 70	6. 13
γ 143. 0	5. 58	5. 81	5. 75	5. 90	5. 55	5. 63	5. 43	5. 25	5. 67	5. 81	5. 75	5. 67
γ 144. 0	5. 66	5. 91	5. 64	5. 91	5. 83	5. 59	5. 61	5. 47	5. 96	5. 93	5. 84	5. 86
γ 145. 0	5. 89	5. 92	5. 84	6. 11	5. 75	5. 55	5. 88	5. 40	5. 86	5. 90	5. 91	5. 84
γ 146. 0	5. 71	6. 09	5. 89	6. 15	5. 58	5. 42	5. 90	5. 49	5. 86	5. 90	6. 12	6. 28
γ 147. 0	5. 92	6. 15	5. 89	6. 10	5. 75	5. 80	5. 89	5. 68	6. 11	6. 03	6. 04	5. 94
γ 148. 0	5. 88	6. 08	6. 07	6. 12	5. 93	5. 75	5. 95	5. 56	5. 99	6. 02	6. 03	5. 90
γ 149. 0	6. 20	6. 17	6. 13	6. 11	6. 05	6. 14	5. 92	5. 57	5. 94	6. 03	6. 09	5. 95
γ 150. 0	6. 09	6. 40	6. 01	6. 23	6. 03	6. 10	6. 10	5. 63	5. 99	6. 08	6. 34	6. 16
γ 151. 0	6. 12	6. 43	6. 22	6. 45	6. 13	6. 35	6. 30	6. 05	6. 21	6. 12	6. 50	6. 56
γ 152. 0	6. 29	6. 55	6. 45	6. 62	6. 23	6. 12	6. 47	6. 06	6. 48	6. 23	6. 60	6. 61
γ 153. 0	6. 64	6. 81	6. 56	6. 53	6. 31	6. 19	6. 55	6. 20	6. 42	6. 36	6. 61	6. 69
γ 154. 0	6. 81	6. 96	6. 45	7. 17	6. 23	6. 72	6. 69	6. 22	6. 54	6. 56	6. 79	6. 93
γ 155. 0	6. 78	6. 99	6. 70	7. 24	6. 24	6. 66	6. 73	6. 38	6. 73	6. 73	6. 99	6. 97
γ 156. 0	6. 81	7. 06	6. 82	7. 28	6. 38	6. 64	6. 90	6. 50	6. 91	6. 60	7. 16	6. 82
γ 157. 0	7. 08	7. 08	6. 92	7. 47	6. 55	6. 79	6. 88	6. 77	7. 01	6. 96	7. 29	6. 99
γ 158. 0	6. 98	7. 11	6. 95	7. 42	6. 77	7. 08	7. 03	6. 97	6. 97	7. 23	7. 38	7. 12
γ 159. 0	6. 90	7. 27	7. 12	7. 67	7. 10	7. 17	7. 13	7. 03	7. 14	7. 32	7. 36	7. 39
γ 160. 0	7. 12	7. 50	7. 28	7. 38	7. 14	7. 31	7. 12	7. 16	7. 38	7. 22	7. 48	7. 37
γ 161. 0	7. 36	7. 54	7. 38	7. 81	7. 08	7. 49	7. 28	7. 39	7. 33	7. 18	7. 66	7. 52
γ 162. 0	7. 28	7. 69	7. 59	8. 06	7. 31	7. 49	7. 51	7. 33	7. 15	7. 51	7. 85	7. 56
γ 163. 0	7. 40	7. 76	7. 58	7. 82	7. 37	7. 39	7. 77	7. 34	7. 31	7. 64	7. 85	7. 54
γ 164. 0	7. 53	7. 72	7. 78	8. 15	7. 56	7. 14	8. 00	7. 50	7. 65	7. 60	7. 78	7. 87
γ 165. 0	7. 76	7. 93	7. 98	8. 12	7. 56	7. 52	7. 92	7. 57	7. 96	7. 60	7. 86	8. 01
γ 166. 0	7. 90	8. 05	8. 09	8. 13	7. 76	7. 47	7. 94	7. 61	7. 71	7. 84	7. 97	7. 95
γ 167. 0	7. 99	8. 07	8. 03	8. 21	7. 92	7. 78	7. 76	7. 55	7. 76	7. 66	7. 88	7. 83
γ 168. 0	8. 01	7. 97	8. 08	8. 01	7. 79	7. 66	7. 84	7. 27	7. 57	7. 42	7. 90	7. 78
γ 169. 0	7. 85	7. 87	8. 02	8. 19	7. 85	7. 77	7. 92	7. 31	7. 54	7. 54	7. 91	7. 83
γ 170. 0	7. 99	7. 88	7. 84	7. 96	7. 80	7. 60	7. 92	7. 53	7. 64	7. 54	7. 71	7. 78
γ 171. 0	7. 88	7. 86	7. 93	8. 09	7. 64	7. 77	7. 81	7. 65	7. 57	7. 71	7. 76	7. 64
γ 172. 0	7. 46	7. 88	7. 86	8. 12	7. 74	7. 38	7. 75	7. 44	7. 52	7. 73	7. 71	7. 93
γ 173. 0	7. 22	7. 63	7. 76	7. 89	7. 77	7. 28	7. 59	7. 51	7. 66	7. 67	7. 76	7. 81
γ 174. 0	7. 19	7. 50	7. 81	8. 08	7. 70	7. 28	7. 67	7. 47	7. 54	7. 75	7. 68	7. 75
γ 175. 0	7. 34	7. 55	7. 87	7. 93	7. 53	7. 39	7. 61	7. 41	7. 46	7. 65	7. 59	7. 59
γ 176. 0	7. 53	7. 53	7. 88	7. 92	7. 41	7. 62	7. 55	7. 41	7. 29	7. 54	7. 49	7. 81
γ 177. 0	7. 43	7. 52	7. 58	7. 98	7. 33	7. 42	7. 59	7. 30	7. 29	7. 63	7. 64	7. 82
γ 178. 0	7. 03	7. 32	7. 57	7. 91	7. 32	7. 67	7. 37	7. 09	6. 99	7. 55	7. 56	7. 88
γ 179. 0	6. 99	7. 31	7. 66	7. 77	7. 35	7. 49	7. 25	7. 02	7. 17	7. 39	7. 44	7. 56
γ 180. 0	7. 28	7. 28	7. 28	7. 28	7. 28	7. 28	7. 28	7. 28	7. 28	7. 28	7. 28	7. 28
V/H	C270. 0	C292. 5	C315. 0	C337. 5								
γ 0. 0	4971. 13	4971. 13	4971. 13	4971. 13								
γ 1. 0	4869. 52	4828. 52	4766. 24	4719. 57								
γ 2. 0	4694. 82	4610. 66	4536. 23	4488. 96								
γ 3. 0	4442. 31	4314. 70	4236. 32	4191. 36								
γ 4. 0	4117. 62	3954. 39	3871. 60	3829. 34								
γ 5. 0	3732. 33	3542. 81	3460. 04	3416. 18								

IES Indoor Report

Photometric Filename:AD10681 10W 1002C4 3090 HK35-15D 250.IES

Candela Tabulation - (Cont.)

V/H	C270. 0	C292. 5	C315. 0	C337. 5
γ 6. 0	3314. 72	3107. 14	3020. 26	2978. 97
γ 7. 0	2882. 71	2660. 49	2575. 49	2540. 04
γ 8. 0	2458. 52	2225. 81	2149. 90	2129. 45
γ 9. 0	2058. 89	1828. 38	1768. 98	1763. 71
γ 10. 0	1694. 08	1476. 74	1438. 22	1444. 89
γ 11. 0	1370. 40	1171. 55	1155. 40	1164. 77
γ 12. 0	1090. 67	915. 98	917. 27	920. 90
γ 13. 0	856. 41	707. 86	718. 18	716. 58
γ 14. 0	666. 38	542. 06	553. 98	553. 70
γ 15. 0	513. 28	413. 60	425. 26	428. 20
γ 16. 0	391. 16	314. 24	326. 94	333. 76
γ 17. 0	295. 90	237. 97	253. 19	261. 90
γ 18. 0	223. 88	180. 72	196. 88	205. 99
γ 19. 0	171. 00	139. 88	154. 31	161. 18
γ 20. 0	132. 97	112. 14	122. 76	127. 00
γ 21. 0	106. 49	93. 43	100. 73	103. 04
γ 22. 0	88. 33	80. 48	85. 31	86. 42
γ 23. 0	76. 37	71. 65	74. 32	74. 95
γ 24. 0	67. 93	64. 25	66. 10	66. 09
γ 25. 0	60. 72	57. 94	58. 51	58. 57
γ 26. 0	54. 19	52. 02	52. 56	52. 82
γ 27. 0	48. 56	46. 59	47. 38	47. 66
γ 28. 0	43. 71	41. 94	42. 72	43. 16
γ 29. 0	39. 54	38. 16	38. 70	39. 07
γ 30. 0	35. 73	34. 68	34. 90	35. 16
γ 31. 0	32. 32	31. 43	31. 39	31. 97
γ 32. 0	30. 04	29. 47	29. 54	29. 87
γ 33. 0	28. 31	28. 21	27. 94	28. 25
γ 34. 0	26. 98	26. 75	26. 58	26. 91
γ 35. 0	25. 81	25. 24	25. 67	26. 10
γ 36. 0	24. 82	24. 50	24. 83	25. 34
γ 37. 0	24. 26	23. 45	24. 29	24. 85
γ 38. 0	23. 57	23. 12	24. 15	24. 25
γ 39. 0	22. 94	22. 42	23. 64	23. 76
γ 40. 0	22. 44	22. 16	22. 93	23. 27
γ 41. 0	21. 28	20. 59	21. 69	21. 65
γ 42. 0	19. 49	18. 44	19. 36	19. 91
γ 43. 0	17. 50	16. 64	17. 20	17. 64
γ 44. 0	15. 63	14. 66	15. 10	15. 32
γ 45. 0	13. 63	12. 65	13. 00	13. 43
γ 46. 0	11. 48	10. 77	11. 12	11. 64
γ 47. 0	9. 53	8. 60	9. 65	9. 93
γ 48. 0	8. 43	7. 91	8. 45	8. 75
γ 49. 0	7. 55	7. 05	7. 41	7. 82
γ 50. 0	6. 83	6. 63	6. 44	7. 03
γ 51. 0	6. 46	6. 19	5. 97	6. 46
γ 52. 0	6. 12	5. 36	5. 51	6. 10

IES Indoor Report

Photometric Filename:AD10681 10W 1002C4 3090 HK35-15D 250.IES

Candela Tabulation - (Cont.)

V/H	C270. 0	C292. 5	C315. 0	C337. 5
γ 53. 0	5. 69	5. 07	5. 15	5. 64
γ 54. 0	5. 20	5. 01	4. 88	5. 43
γ 55. 0	5. 05	4. 43	4. 81	5. 24
γ 56. 0	4. 86	4. 53	4. 93	4. 96
γ 57. 0	4. 71	4. 30	4. 70	4. 65
γ 58. 0	4. 58	4. 16	4. 34	4. 53
γ 59. 0	4. 46	4. 19	4. 13	4. 51
γ 60. 0	4. 20	3. 98	4. 20	4. 29
γ 61. 0	4. 25	3. 98	4. 20	4. 19
γ 62. 0	4. 33	4. 13	3. 97	4. 09
γ 63. 0	4. 18	4. 10	3. 69	4. 11
γ 64. 0	4. 24	4. 22	3. 73	4. 17
γ 65. 0	4. 16	3. 96	3. 77	4. 39
γ 66. 0	3. 91	3. 77	3. 93	4. 30
γ 67. 0	3. 88	4. 16	4. 05	4. 24
γ 68. 0	4. 03	3. 91	4. 07	4. 31
γ 69. 0	3. 91	4. 31	4. 07	4. 54
γ 70. 0	4. 03	4. 17	4. 04	4. 38
γ 71. 0	4. 46	4. 14	4. 01	4. 43
γ 72. 0	4. 43	4. 25	4. 10	4. 50
γ 73. 0	4. 49	4. 15	4. 14	4. 53
γ 74. 0	4. 53	4. 43	4. 20	4. 50
γ 75. 0	4. 48	4. 72	4. 44	4. 50
γ 76. 0	4. 50	4. 52	4. 38	4. 70
γ 77. 0	4. 62	4. 69	4. 39	4. 87
γ 78. 0	4. 72	4. 88	4. 49	4. 63
γ 79. 0	4. 76	4. 80	4. 59	4. 71
γ 80. 0	4. 95	4. 40	4. 61	4. 90
γ 81. 0	5. 07	4. 84	4. 60	4. 94
γ 82. 0	5. 01	4. 69	4. 78	5. 02
γ 83. 0	5. 09	4. 82	4. 87	5. 29
γ 84. 0	5. 14	4. 99	4. 85	5. 59
γ 85. 0	5. 24	5. 28	4. 95	5. 51
γ 86. 0	5. 37	5. 37	4. 96	5. 44
γ 87. 0	5. 43	5. 39	4. 98	5. 35
γ 88. 0	5. 46	5. 26	5. 20	5. 44
γ 89. 0	5. 38	5. 49	5. 27	5. 45
γ 90. 0	5. 33	5. 20	5. 11	5. 51
γ 91. 0	5. 40	5. 35	5. 05	5. 42
γ 92. 0	5. 48	5. 24	4. 95	5. 27
γ 93. 0	5. 36	5. 31	4. 96	5. 34
γ 94. 0	5. 33	5. 55	4. 80	5. 40
γ 95. 0	5. 41	5. 31	4. 81	5. 30
γ 96. 0	5. 30	5. 08	4. 87	5. 28
γ 97. 0	5. 26	5. 24	5. 02	5. 17
γ 98. 0	5. 06	5. 27	4. 99	5. 27
γ 99. 0	5. 08	5. 07	4. 86	5. 09

IES Indoor Report

Photometric Filename:AD10681 10W 1002C4 3090 HK35-15D 250.IES

Candela Tabulation - (Cont.)

V/H	C270. 0	C292. 5	C315. 0	C337. 5
γ 100. 0	5. 25	4. 79	5. 03	5. 15
γ 101. 0	5. 33	5. 15	5. 06	5. 08
γ 102. 0	5. 28	4. 99	5. 19	5. 10
γ 103. 0	5. 26	5. 20	5. 15	5. 32
γ 104. 0	5. 20	5. 22	5. 12	5. 43
γ 105. 0	5. 33	5. 54	5. 29	5. 22
γ 106. 0	5. 18	5. 60	5. 19	5. 39
γ 107. 0	5. 03	5. 31	5. 18	5. 37
γ 108. 0	5. 27	5. 45	5. 08	5. 48
γ 109. 0	5. 40	5. 40	5. 28	5. 52
γ 110. 0	5. 49	5. 40	5. 42	5. 68
γ 111. 0	5. 36	5. 36	5. 66	5. 50
γ 112. 0	5. 36	5. 23	5. 49	5. 50
γ 113. 0	5. 40	5. 39	5. 29	5. 52
γ 114. 0	5. 39	5. 51	5. 30	5. 38
γ 115. 0	5. 37	5. 47	5. 21	5. 34
γ 116. 0	5. 36	5. 57	5. 37	5. 45
γ 117. 0	5. 54	5. 67	5. 12	5. 29
γ 118. 0	5. 56	5. 41	4. 91	5. 44
γ 119. 0	5. 52	5. 39	4. 97	5. 45
γ 120. 0	5. 67	5. 75	5. 25	5. 47
γ 121. 0	5. 66	5. 45	5. 24	5. 55
γ 122. 0	5. 61	5. 32	5. 48	5. 38
γ 123. 0	5. 61	5. 55	5. 40	5. 26
γ 124. 0	5. 43	5. 16	5. 28	5. 41
γ 125. 0	5. 55	5. 30	5. 31	5. 45
γ 126. 0	5. 40	5. 51	5. 20	5. 41
γ 127. 0	5. 41	5. 28	5. 50	5. 32
γ 128. 0	5. 58	5. 40	5. 40	5. 44
γ 129. 0	5. 46	5. 22	5. 34	5. 46
γ 130. 0	5. 38	5. 48	5. 36	5. 34
γ 131. 0	5. 42	5. 69	5. 33	5. 37
γ 132. 0	5. 59	5. 41	5. 31	5. 45
γ 133. 0	5. 38	5. 49	5. 38	5. 36
γ 134. 0	5. 25	5. 42	5. 42	5. 37
γ 135. 0	5. 19	5. 72	5. 36	5. 47
γ 136. 0	5. 23	5. 39	5. 33	5. 42
γ 137. 0	5. 47	5. 25	5. 23	5. 18
γ 138. 0	5. 49	5. 53	5. 44	5. 37
γ 139. 0	5. 44	5. 53	5. 46	5. 68
γ 140. 0	5. 45	5. 59	5. 49	5. 50
γ 141. 0	5. 59	5. 38	5. 58	5. 50
γ 142. 0	5. 67	5. 39	5. 40	5. 45
γ 143. 0	5. 69	5. 43	5. 67	5. 52
γ 144. 0	5. 66	5. 68	5. 62	5. 67
γ 145. 0	5. 77	5. 75	5. 73	5. 64
γ 146. 0	5. 88	6. 05	5. 69	5. 91

IES Indoor Report

Photometric Filename:AD10681 10W 1002C4 3090 HK35-15D 250.IES

Candela Tabulation - (Cont.)

V/H	C270. 0	C292. 5	C315. 0	C337. 5
γ 147. 0	5. 99	6. 02	5. 83	5. 80
γ 148. 0	6. 10	6. 14	5. 84	5. 88
γ 149. 0	6. 20	5. 90	5. 95	6. 00
γ 150. 0	6. 17	6. 08	6. 09	6. 14
γ 151. 0	6. 33	6. 34	6. 36	6. 13
γ 152. 0	6. 43	6. 48	6. 49	6. 26
γ 153. 0	6. 45	6. 67	6. 74	6. 36
γ 154. 0	6. 60	6. 52	6. 94	6. 43
γ 155. 0	6. 61	6. 61	6. 99	6. 60
γ 156. 0	6. 70	6. 87	6. 97	6. 92
γ 157. 0	6. 77	6. 71	6. 99	6. 94
γ 158. 0	6. 91	7. 15	7. 09	7. 20
γ 159. 0	7. 10	7. 37	7. 24	7. 00
γ 160. 0	7. 10	7. 39	7. 39	7. 06
γ 161. 0	7. 15	7. 24	7. 59	7. 12
γ 162. 0	7. 28	7. 58	7. 58	7. 22
γ 163. 0	7. 27	7. 66	7. 50	7. 23
γ 164. 0	7. 32	7. 70	7. 66	7. 34
γ 165. 0	7. 32	7. 85	7. 49	7. 52
γ 166. 0	7. 32	7. 70	7. 67	7. 36
γ 167. 0	7. 27	7. 84	7. 49	7. 32
γ 168. 0	7. 22	7. 78	7. 43	7. 46
γ 169. 0	7. 12	7. 80	7. 46	7. 32
γ 170. 0	7. 14	7. 44	7. 29	7. 39
γ 171. 0	7. 20	7. 47	7. 43	7. 47
γ 172. 0	7. 23	7. 53	7. 52	7. 57
γ 173. 0	7. 11	7. 37	7. 55	7. 27
γ 174. 0	7. 03	7. 33	7. 52	7. 09
γ 175. 0	7. 04	7. 28	7. 36	7. 16
γ 176. 0	7. 09	7. 45	7. 36	7. 10
γ 177. 0	7. 09	7. 25	7. 37	7. 06
γ 178. 0	7. 17	7. 24	7. 47	7. 07
γ 179. 0	7. 19	7. 41	7. 27	7. 01
γ 180. 0	7. 28	7. 28	7. 28	7. 28
